

## JE Series

DIRECT REPLACEMENT LED LAMP for 400W HPS LAMP

**Re-purpose your HID system into LED & save >50% energy instantly**

### Product Description:

The JE-H Series plug and play lamps are ballast driven LED replacement for High Pressure Sodium lamp. Direct screw in replacement for mogul sockets and uses existing magnetic ballasts from 400W to 175W.

This lamp has **no cooling fan** thus widening the application range- sawmills, refineries can now be included! The applications include warehouse and manufacturing.



### Performance Summary:

**Delivered Light Output:** 19,000 Lumens (400W)

**Input Power:** 155 Watts

**Power Source:** Existing CWA High Pressure Sodium ballast

**Fixture type:** Open or Enclosed

**CCT:** 5000°K/4000°K

**Limited Warranty:** 5 years

**Mounting:** Vertical mogul sockets, E39, EX39, E40 lamp base

**Weight:** 2.3 lbs

**Listing:** cUL Listed, CE

**LED Lifespan L70:** 60,000 hours

**Environmental: Ambient Temperature:** -20C to +55C

**Humidity Rating:** 15% to 85% non-condensing



### Specifications

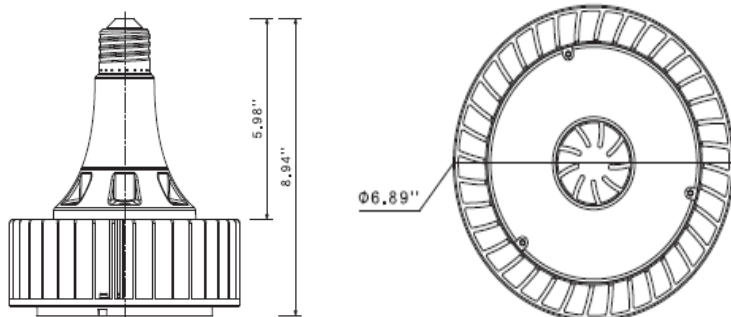
Product	400W			350W			320W			250W		
	Total Lumens	Lamp Watts	Lm/Wt	Total Lumens	Lamp Watts	Lm/Wt	Total Lumens	Lamp Watts	Lm/Wt	Total Lumens	Lamp Watts	Lm/Wt
JE-400D-SO-750-H	19,000	155W	125Lm/w				T	B	D			

### Ordering Information

Example: JE-400D-SO-750-H

Series	Dimension	Type	Output	CRI	CCT	HPS Replacement
J- J Series	E	400D- 400W High Pressure Sodium LED Retrofit- Downlight	SO- Standard Output	7- 70 CRI	50- 5000K	H

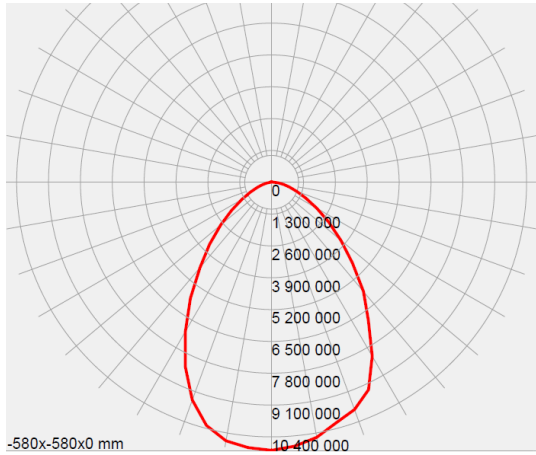
### Product Dimensions



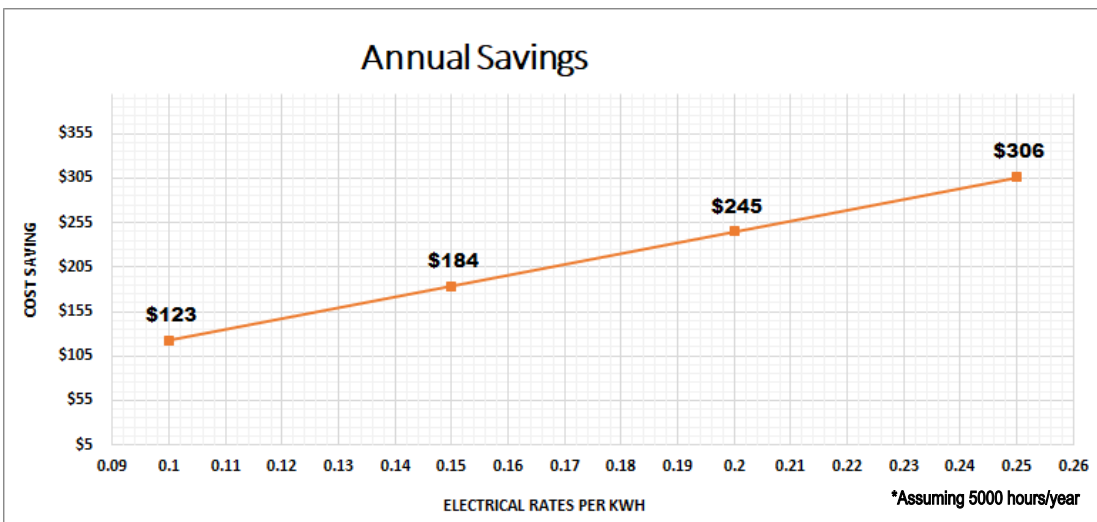
#### Notes:

- \* Can be used in an enclosed fixture
- \* Do not install lamp into line voltage or with a LED driver
- \* Effective Lumens - 24,000

## Photometry



## Annual Savings



## Lumen Depreciation Curve

