

J Series

DIRECT REPLACEMENT LED LAMP FOR 1000W MH

Re-purpose your HID system into LED & save >50% energy instantly

Features

- Design:** Patented plug and play LED technology for direct connections to HID MH ballasts from 1000W through 750W.
- Mounting:** Direct screw in replacement for mogul sockets, uses existing MH magnetic ballast. For vertical mogul sockets, E39, EX39 and E40 lamp base. Compatible with pulse start and probe start Metal Halide ballasts.
- Efficiency:** 147Lm/W. Saves 50% on energy costs over Metal Halide Lamps
- Color Temp.:** 5000°K. 70+ CRI.
- Output:** 37,000 Lumens
- Lifespan:** L70: 50,000 hours
- Warranty:** 5-year warranty
- Certification:** UL, CE
- Weight:** 3.7lbs
- Environmental:** Ambient Temperature: -25C to +50C
Relative Humidity: 15% to 85%, non-condensing



250W LED



1000W HID



Specifications

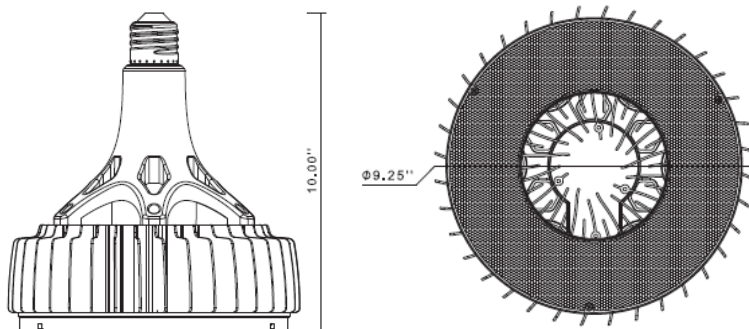
BALLAST	1000W			750W		
	TOTAL LUMENS	LAMP WATTS	LM/W	TOTAL LUMENS	LAMP WATTS	LM/W
JP-1KWD-SHO-750	37,000Lm	250W	147Lm/W	27,700Lm	190W	145Lm/W

Ordering Information

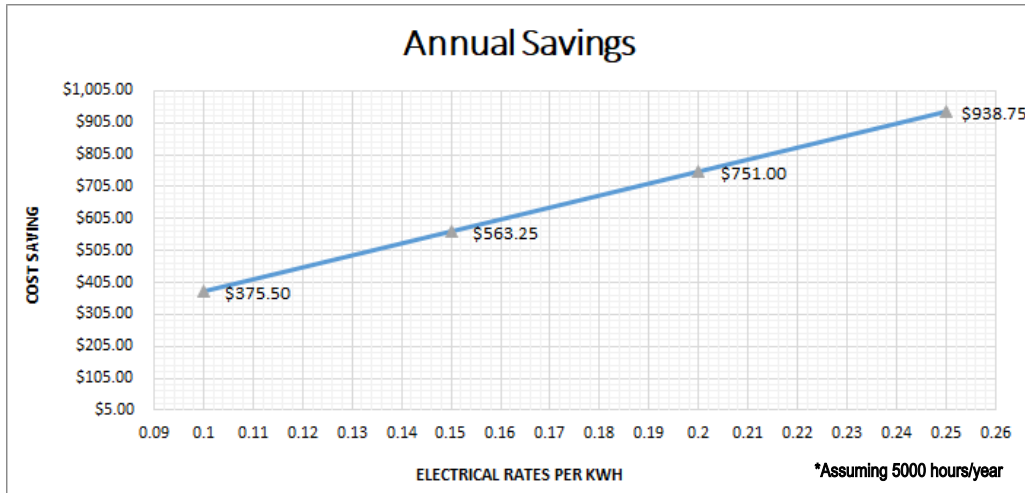
Example: **JP-1KWD-SHO-750**

SERIES	DIMENSION	TYPE	OUTPUT	CRI	CCT
J—J Series	P	1 KWD — 1000W Metal Halide LED Retrofit - all downlight	SHO — Super High Output	7 — 70	50 — 5000K

Product Dimensions



Annual Savings



Lumen Depreciation Curve

